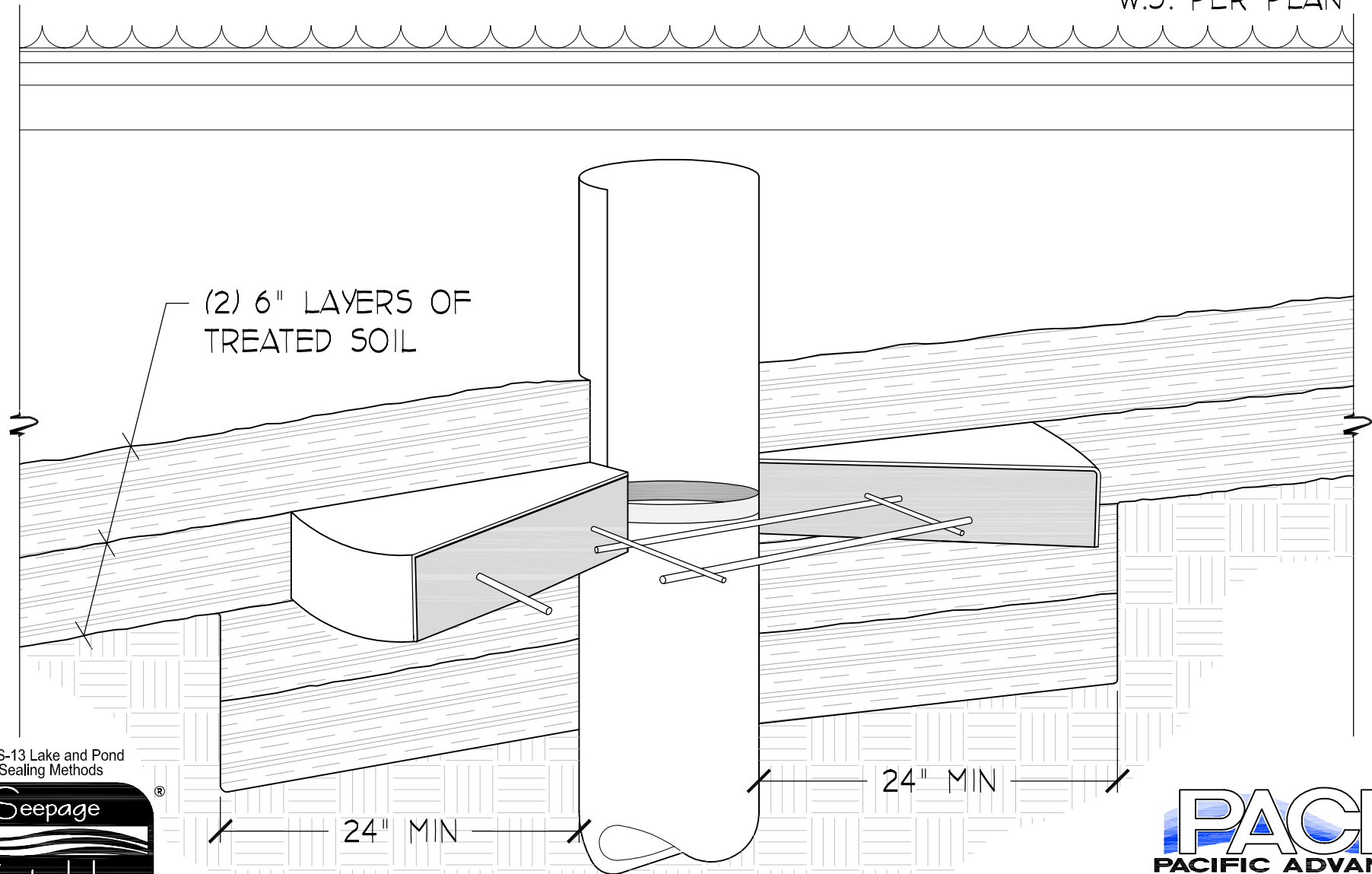


W.S. PER PLAN



(2) 6" LAYERS OF
TREATED SOIL

24" MIN

24" MIN

ESS-13 Lake and Pond
Sealing Methods



www.seepagecontrol.com



PIPE STRUCTURE SEAL

PERSPECTIVE

D